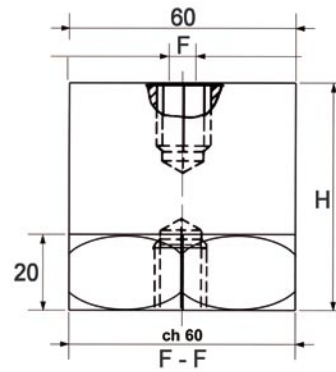
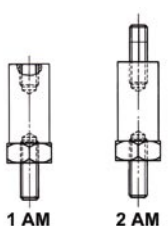


Art.	F	H	Service Volt.
CPE 40	M10 – M12 – M16	40 mm	1500 V
CPE 50	M10 – M12 – M16	50 mm	3000 V
CPE 60	M10 – M12 – M16	60 mm	3000 V
CPE 70	M10 – M12 – M16	70 mm	4000 V
CPE 80	M10 – M12 – M16	80 mm	5000 V
CPE 100	M10 – M12 – M16	100 mm	8000 V



TYPE	Surface flashover Surcharge /surface Overbelasting opp.	Intern. flashover Surcharge intern. Inwend. overbelast.	Tensile stress Traction Trek.	Cantilever stress Flexion Buiging	Comp. stress Compression Druk	Twist. stress Torsion Torsie
	kV (A.C.)	kV (A.C.)	DN	DN	DN	DN x m
CPE 40	10	25	1100	700	10000	6
CPE 60	20	50	1500	600	10000	8
CPE 80	25	50	2300	900	12000	10
CPE 100	30	50	3000	1500	15000	15

Operating Temperature Température d'utilisation Gebruikstemperatuur	-40°C +130°C
Fire Reaction Tenue au feu Vuurbestendigheid	Class UL94-VO
Breaking charges Charge de rupture Breukweerstand	Tolerance +- 10 %

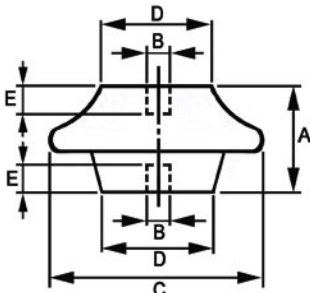
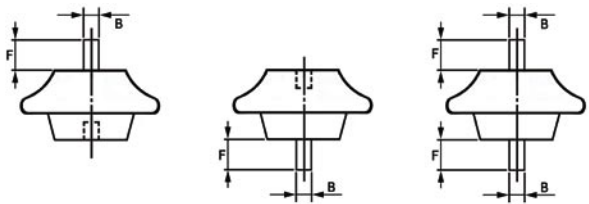


G5x20	G8x22	G10x30	G12x30
G6x20	G8x33	G10x40	G16x30
G6x30	G8x50	G10x50	
G8x15	G10x22	G12x25	



GR 12/10
GR 16/10
GR 16/12
GR 8/12

Others on request / Autres sur demande / Andere op aanvraag



Art.	A	B	C	D	E	F	Service Volt.
I2IC1000-08	52	M8	100	50	15	25	5000 V
I2IC1000-10	52	M10	100	50	15	25	5000 V
I2IC1000-12	52	M12	100	50	16	30	5000 V
I2IC1000-16	52	M16	100	50	16	30	5000 V

TYPE	Surface flashover Surcharge /surface Overbelasting opp.	Intern. flashover Surcharge intern. Inwend. overbelast.	Tensile stress Traction Trek.	Cantilever stress Flexion Bijging	Comp. stress Compression Druk	Twist. stress Torsion Torsie
	kV (A.C.)	kV (A.C.)	DN	DN	DN	DN x m
I2IC1000	50	50	1950	980	14700	10

Operating Temperature Température d'utilisation Gebruikstemperatuur	-40°C +130°C
Fire Reaction Tenue au feu Vuurbestendigheid	Class UL94-VO
Breaking charge Charge de rupture Breukweerstand	Tolerance +- 10 %

Passing insulator type PI/P.

Isolateur passe-cloison type PI/P.

Doorvoerisolator type PI/P.

Art.	In rated range (Amp.)	Service Voltage - V	Test Voltage - kV
PI/P - 4	25 A	600	4
PI/P - 6	50 A	1000	6
PI/P - 8	80 A	1000	6
PI/P - 10	120 A	1000	6
PI/P - 12	200 A	1000	6
PI/P - 16	300 A	2000	8
PI/P - 20	450 A	2000	8

Art.	F	L	A	B diam	C max	H	Diam 1	Diam 2
PI/P - 4	M4	50	10	15	3	12,5	2,5	8,5
PI/P - 6	M6	65	12	22	5	17	3,5	12,5
PI/P - 8	M8	80	13,5	25	5	21	3,5	15,5
PI/P - 10	M10	95	15	30	5	28	4,5	17,5
PI/P - 12	M12	105	17	35	5	29	5	20,5
PI/P - 16	M16	135	22	43	7	38	5,5	25,5
PI/P - 20	M20	155	25	54	8	44	6	30,5

