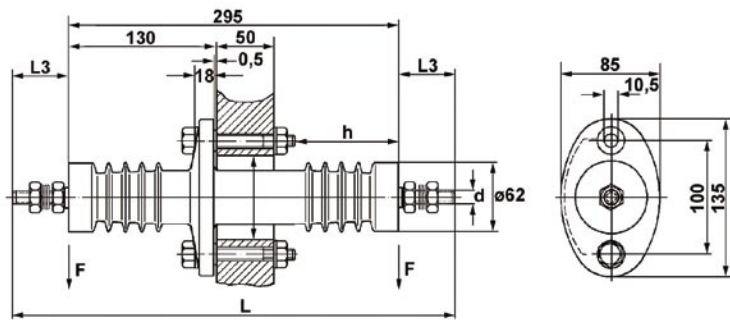
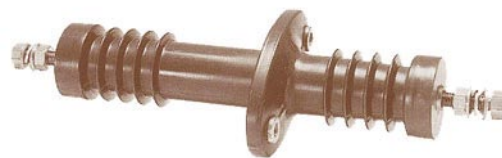


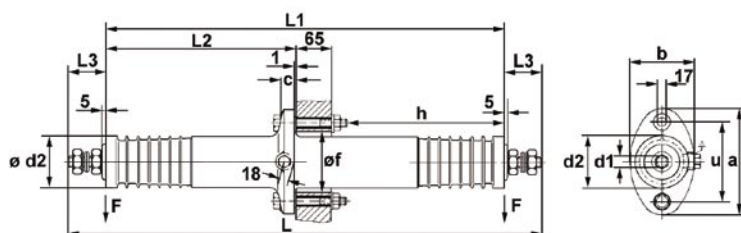
1 (kV) : Nominal voltage / Tension nominale / Nominate spanning - 2 (kV) : Withstand at low frequency / Tenu en basse fréquence / houdspanning bij lage frequentie - 3 (kV) : Rated lightning impulse withstand / Tension de chocs / Stootspanning - A : Rated current / Courant / Stroomsterkte - X (mm) : Creepage distance / ligne de fuite / Kruipeafstand - Y (kN) : Minimum value of bending / Résistance à la flexion / Buigweerstand - Z (kg) : Weight / Poids / Gewicht - * : Spacer made of EPDM / Caoutchouc obturateur en EPDM / EPDM tussenschot.



Type : RDBG 12 kV
Bolt bushing
Indoor / Intérieur / binnendienst



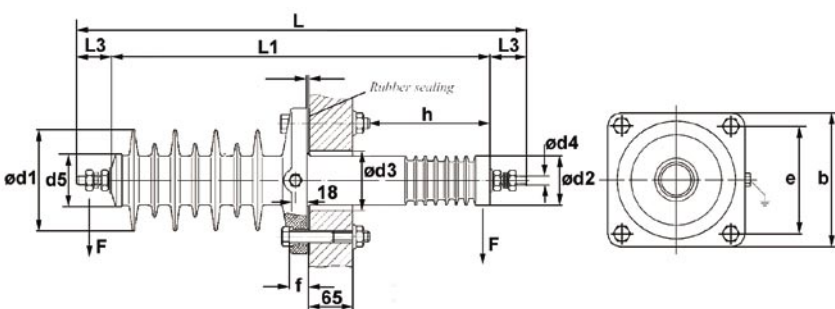
| REF. | 1 (kV) | 2 (kV) | 3 (kV) | A | L | L3 | d | h | X (mm) | Y (kN) | Z (kg) |
|---------|--------|--------|--------|-----|-----|----|--------|----|--------|--------|--------|
| 2019598 | 12 | 28 | 75 | 200 | 395 | 50 | M12 | 62 | 170 | 3,75 | 1,70 |
| 2019599 | | | | 400 | 415 | 60 | M16 | | | | 2,05 |
| 2019600 | | | | 630 | 435 | 70 | M20 | | | | 2,60 |
| 2019601 | | | | 800 | 455 | 80 | M24 x2 | | | | 3,40 |



Type : RDBG 20/24 - 30/36 kV
Bolt bushing
Indoor / Intérieur / binnendienst



| REF. | Bolts+ fittings | 1 (kV) | 2 (kV) | 3 (kV) | A | L | L1 | L2 | L3 | d1 | d2 | h | f | c | u | a | b | X mm | Y (kN) | Z (kg) |
|------------------------------|-----------------|--------|--------|--------|------|------|-----|-----|-----|---------|-----|-----|-----|----|-----|-----|-----|------|--------|--------|
| 2022322 | 2037717 | 24 | 50 | 125 | 200 | 615 | 515 | 240 | 50 | M12 | 70 | 157 | 80 | 22 | 130 | 185 | 100 | 280 | 7,5 | 4,45 |
| | 2037718 | | | | 400 | 635 | | | 60 | M16 | | | | | | | | | | 4,85 |
| | 2037119 | | | | 630 | 655 | | | 70 | M20 | | | | | | | | | | 5,60 |
| 2019605 - bolts & fit. Incl. | | | | | 800 | 675 | | | 80 | M24 x 2 | | | | | | | | | | 6,50 |
| 2022323 | 2037721 | 36 | 70 | 170 | 200 | 840 | 740 | 350 | 50 | M12 | 100 | 237 | 110 | 28 | 150 | 200 | 120 | 400 | 7,5 | 11,90 |
| | 2037722 | | | | 400 | 860 | | | 60 | M16 | | | | | | | | | | 12,60 |
| | 2037723 | | | | 630 | 880 | | | 70 | M20 | | | | | | | | | | 13,50 |
| | 2037724 | | | | 800 | 900 | | | 80 | M24 x 2 | | | | | | | | | | 15,50 |
| | 2037725 | | | | 1000 | 960 | | | 110 | M30 x 2 | | | | | | | | | | 17,50 |
| | 2037726 | | | | 1250 | 1000 | | | 130 | M33 x 2 | | | | | | | | | | 19,00 |
| | 2037727 | | | | 1600 | 1030 | | | 145 | M36 x 3 | | | | | | | | | | 20,50 |



Type : FDBG 12 - 20/24 - 30/36kV
- Bolt bushing
- Indoor / outdoor
- intérieur/extérieur
- Binnen-/buitendienst



| REF. | Bolts + fittings | 1 (kV) | 2 (kV) | 3 (kV) | A | L | L1 | L2 | L3 | d1 | d2 | d3 | d4 | d5 | h | b | e | f | X mm | Y (kN) | Z (kg) | |
|----------------------------|------------------|--------|--------|--------|------|------|-----|-----|-----|-----|-----|-----|---------|-----|-----|-----|-----|----|------|--------|--------|------|
| 2021837 | 2037732 | 10/12 | 28 | 75 | 200 | 450 | 350 | 175 | 50 | 140 | 62 | 90 | M12 | 70 | 96 | 165 | 115 | 22 | 280 | 7,5 | 3,40 | |
| | 2037733 | | | | 400 | 470 | | | 60 | | | | M16 | | | | | | | | 4,00 | |
| | 2037734 | | | | 630 | 490 | | | 70 | | | | M20 | | | | | | | | 4,50 | |
| 2019789 bolts & fit. Incl. | | | | | 800 | 510 | | | 80 | | | | M24 x 2 | | | | | | | | 5,00 | |
| 2021839 | 2037728 | 20/24 | 50 | 125 | 200 | 665 | 565 | 295 | 50 | 150 | 70 | 80 | M12 | 80 | 190 | 175 | 125 | 28 | 610 | 7,5 | 7,15 | |
| | 2037729 | | | | 400 | 685 | | | 60 | | | | M16 | | | | | | | | 7,70 | |
| | 2037730 | | | | 630 | 705 | | | 70 | | | | M20 | | | | | | | | 8,60 | |
| 2019793 bolts & fit. Incl. | | | | | 800 | 725 | | | 80 | | | | M24 x 2 | | | | | | | | | 9,40 |
| 2021841 | 2037668 | 30/36 | 70 | 170 | 200 | 860 | 760 | 360 | 50 | 170 | 100 | 110 | M12 | 110 | 270 | 190 | 140 | 35 | 750 | 7,5 | 12,70 | |
| | 2037669 | | | | 400 | 880 | | | 60 | | | | M16 | | | | | | | | 13,50 | |
| | 2037670 | | | | 630 | 900 | | | 70 | | | | M20 | | | | | | | | 14,50 | |
| | 2037671 | | | | 800 | 920 | | | 80 | | | | M24 x 2 | | | | | | | | 15,55 | |
| | 2037672 | | | | 1000 | 980 | | | 110 | | | | M30 x 2 | | | | | | | | 18,00 | |
| | 2037673 | | | | 1250 | 1020 | | | 130 | | | | M33 x 2 | | | | | | | | 20,00 | |