

Bushing Insulators made of brown epoxy resin. According to tests VDE 0101 Conform to IEC normatives.

Isolateurs de traversée en résine époxy Selon tests VDE 0101. Conforme au normes CEI.

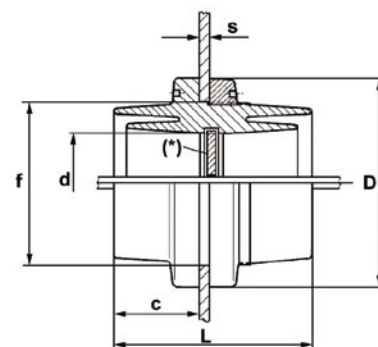
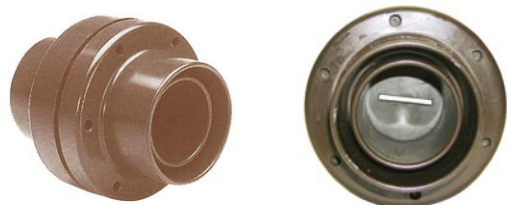
Doorvoerisolatoren in epoxyhars Volgens VDE 0101 tests. Conform met IEC normen.

Type : **GD 12 kV - 24/36 kV**

Screwable bushing / Vissable / Schroefbaar

Indoor / Intérieur / Binnendienst

Option : EPDM spacer / Obturateur / Doppen



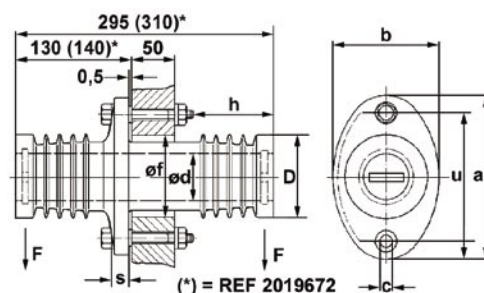
| REF. | S (mm) | 1 (kV) | | 2 (kV) | 3 (kV) | D | d | f | L | c | X mm | Y (kN) | Z (kg) | | | |
|------|--------|-------------------------------|---------------------------------------|--------|--------|-----|-----|-----|-----|------|------|--------|--------|----|------|-----|
| | | at metal plate / plaque métal | at insulating plate / plaque isolante | | | | | | | | | | | | | |
| B58 | 2 - 15 | 12 | 12 | 28 | 75 | 120 | 55 | 95 | 120 | 50 | 120 | 7,5 | 1,1 | | | |
| B707 | 2 - 15 | | | | | 140 | 75 | 115 | | | | | | 50 | 7,5 | 1,3 |
| B708 | 2 - 15 | | | | | 160 | 95 | 135 | | | | | | 50 | 7,5 | 1,6 |
| B721 | 2 - 15 | | | | | 180 | 115 | 155 | | | | | | 50 | 10,0 | 1,8 |
| B722 | 2 - 15 | | | | | 210 | 145 | 185 | | | | | | 50 | 10,0 | 2,2 |
| B249 | 2 - 15 | 12 | 24/36 | 50 | 125 | 140 | 55 | 102 | 150 | 65,5 | 230 | 12,5 | 1,65 | | | |
| B250 | 2 - 15 | | | | | 160 | 75 | 127 | | 70,5 | | | 1,96 | | | |
| B709 | 2 - 15 | | | | | 180 | 95 | 145 | | 65 | | | 2,3 | | | |
| B723 | 2 - 15 | | | | | 200 | 115 | 165 | | 65 | | | 2,6 | | | |
| B724 | 2 - 15 | | | | | 230 | 145 | 195 | | 65 | | | 3,0 | | | |

Type : **RDIG 12 kV**

Bar passing bushing

Indoor / Intérieur / binnendienst

Option : EPDM spacer / Obturateur / Doppen



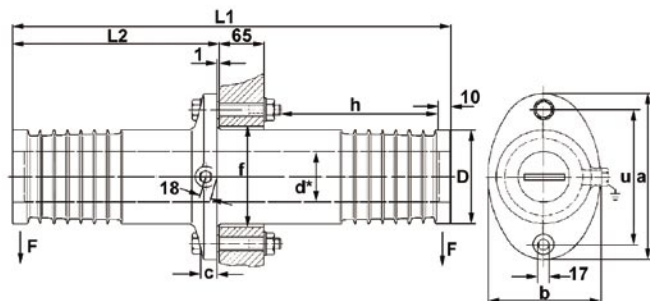
| REF. | 1 (kV) | 2 (kV) | 3 (kV) | D | d | c | f | u | a | b | S | h | X mm | Y (kN) | Z (kg) |
|---------|--------|--------|--------|-----|-----|----|-----|-----|-----|-----|------|----|------|--------|--------|
| 2022326 | 12 | 28 | 75 | 95 | 55 | 14 | 100 | 145 | 185 | 120 | 20 | 55 | 170 | 7,5 | 2,18 |
| 2019624 | | | | 115 | 75 | 14 | 120 | 160 | 200 | 132 | 20 | | 170 | 10,0 | 2,51 |
| 2022355 | | | | 140 | 95 | 14 | 145 | 185 | 230 | 160 | 20 | | 170 | 10,0 | 3,91 |
| 2022357 | | | | 160 | 115 | 14 | 165 | 205 | 250 | 180 | 20 | | 170 | 10,0 | 4,80 |
| 2022359 | | | | 185 | 145 | 17 | 190 | 235 | 290 | 205 | 22,5 | | 170 | 10,0 | 6,30 |
| 2019672 | | | | 260 | 195 | 17 | 270 | 225 | 280 | 280 | 28 | | 190 | 10,0 | 11,50 |

Type : **RDIG 20/24 - 30/36 kV**

Bar passing bushing

Indoor / Intérieur / binnendienst

Option : Spacer / Obturateur / Doppen



| REF. | 1 (kV) | 2 (kV) | 3 (kV) | D | d | L1 | L2 | c | f | u | a | b | h | X mm | Y (kN) | Z (kg) |
|---------|--------|--------|--------|-----|-----|-----|-----|----|-----|-----|-----|-----|-----|------|--------|--------|
| 2022411 | 20/24 | 50 | 125 | 105 | 58 | 515 | 240 | 22 | 120 | 170 | 215 | 130 | 145 | 310 | 7,5 | 6,84 |
| 2022416 | | | | 125 | 80 | | | 22 | 140 | 190 | 235 | 150 | | | 7,5 | 7,46 |
| 2022500 | | | | 145 | 98 | | | 22 | 160 | 210 | 255 | 170 | | | 12,5 | 9,13 |
| 2022507 | 30/36 | 70 | 170 | 165 | 118 | 645 | 300 | 28 | 180 | 230 | 280 | 190 | 220 | 380 | 12,5 | 10,85 |
| 2022512 | | | | 118 | 58 | | | 28 | 135 | 170 | 220 | 140 | | | 7,5 | 9,30 |
| 2022586 | | | | 140 | 80 | | | 28 | 160 | 200 | 245 | 165 | | | 7,5 | 12,46 |
| 2022589 | | | | 155 | 98 | | | 28 | 180 | 220 | 265 | 185 | | | 12,5 | 13,78 |
| 2022595 | | | | 175 | 118 | | | 28 | 200 | 240 | 285 | 205 | | | 12,5 | 16,20 |